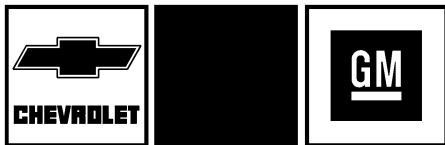


2008 Chevrolet Tahoe Police and Special Service Packages

Seats and Restraint System	1-1	Service and Appearance Care	5-1
Airbag System	1-2	Checking Things Under the Hood	5-2
Features and Controls	2-1	Tires	5-2
Keys	2-2	Capacities and Specifications	5-3
Starting and Operating Your Vehicle	2-3	Special Equipment Options	14-2
Instrument Panel	3-1	SEOs Available with Police Package and Special Service Package	14-2
Instrument Panel	3-2	SEOs Standard with Police Package and Special Service Package	14-17
Warning Lights, Gages, and Indicators	3-2	Index	1
Driver Information Center (DIC)	3-5		
Driving Your Vehicle	4-1		
Your Driving, the Road, and Your Vehicle	4-2		
Towing	4-4		



GENERAL MOTORS, GM, the GM Emblem, CHEVROLET, the CHEVROLET Emblem, and the name TAHOE are registered trademarks of General Motors Corporation.

The information in this manual supplements the owner manual. This manual includes the latest information at the time it was printed. We reserve the right to make changes after that time without notice.

Keep this manual in the vehicle, so it will be there if it is needed. If the vehicle is sold, leave this manual in the vehicle.

The Tahoe Police Package (SEO PPV) has been designed for police work up to and including high-speed emergency vehicle operations.

The Tahoe Special Service Package (SEO 5W4) is not designed nor intended for use in high-speed emergency vehicle operations.

Litho in U.S.A.
Part No. 25796689 A First Printing

Canadian Owners

A French language copy of this manual can be obtained from your dealer/retailer or from:

Helm, Incorporated
P.O. Box 07130
Detroit, MI 48207
1-800-551-4123
www.helminc.com

Propriétaires Canadiens

On peut obtenir un exemplaire de ce guide en français auprès de concessionnaire ou à l'adresse suivante:

Helm Incorporated
P.O. Box 07130
Detroit, MI 48207
1-800-551-4123
www.helminc.com

©2007 General Motors Corporation. All Rights Reserved.

Section 1 Seats and Restraint System

Airbag System	1-2	Notices for Customer-Installed Equipment	1-5
Questions and Answers About Airbags and		Airbag Deployment Diagrams	1-6
Specialty Law Enforcement Vehicles	1-2		

Airbag System

Questions and Answers About Airbags and Specialty Law Enforcement Vehicles

Q: Can equipment such as radar devices, video cameras, and radio trees be mounted in a specialty vehicle equipped with a right front passenger's frontal airbag?

A: Yes, but care must be taken to properly mount the equipment outside of the airbag "deployment zone."

Q: What is the airbag "deployment zone"?

A: The term "deployment zone" describes the space an airbag takes up when fully inflated. Airbags need room to work properly, and anything in the "deployment zone" — such as improperly mounted equipment — can greatly affect the performance of the airbag.

CAUTION:

Airbags inflate with great force, faster than the blink of an eye. No objects, such as shotguns, should be placed over or near the airbag covers. Equipment mounted too close to an inflating airbag could break and become a dangerous projectile in a crash, causing injury to the vehicle's occupants. Also, an object too close to an inflating airbag could prevent the airbag from operating properly. If this ever happens, the airbag would not be able to protect occupants the way it was designed to. To help prevent injury and to allow the airbag to perform as it was designed, do not mount equipment inside the airbag deployment zone.

Q: How can I identify the airbag “deployment zone” in my vehicle?

A: See *Airbag Deployment Diagrams* on page 1-6 for more information. The diagrams provide the approximate dimensions of the “deployment zones” for your specialty vehicle. Before doing any service work, including the installation of any equipment, consult the appropriate service manual.

Q: Is it possible to shield equipment so it does not interfere with airbag deployment?

A: While shielding may protect certain equipment from being damaged or dislodged, it may also negatively affect how an airbag inflates. Therefore, we cannot recommend the placement of any equipment in the deployment zone, even when shielding.

Q: Can the installation of push bumpers on the front end of the vehicle affect the deployment of the airbag?

A: Yes, particularly if the push bumper significantly changes the front structure of the vehicle. However, GM conducts analysis on various push bumper configurations to verify effectiveness of the sensing performance system with minor changes in the front structure of the vehicle which may occur from the addition of a push bumper.

Q: Is there anything I might add to the exterior of the vehicle that could keep the airbags from working properly?

A: Yes. If you add things that change your vehicle's frame, bumper system, height, front end or side sheet metal, they may keep the airbag system from working properly. Also, the airbag system may not work properly if you relocate any of the airbag sensors. If you have any questions about this, you should contact Customer Assistance before you modify your vehicle. The phone numbers and addresses for Customer Assistance are in Step Two of the Customer Satisfaction Procedures in the owner's manual. See "Customer Satisfaction Procedure" in your owner's manual index.

If your vehicle has rollover roof-rail airbags, see "Different Size Tires and Wheels" in your owner's manual for additional important information.

The service manual has information about the location of the airbag sensors, sensing and diagnostic module, and airbag wiring. See "Service Publications Ordering Information" in your owner's manual.

Notices for Customer-Installed Equipment

Read the following notices before installing equipment on your specialty vehicle.

Notice: GM-approved service procedures must be followed to remove and reinstall the instrument panel to the pad in order to ensure proper airbag deployment.

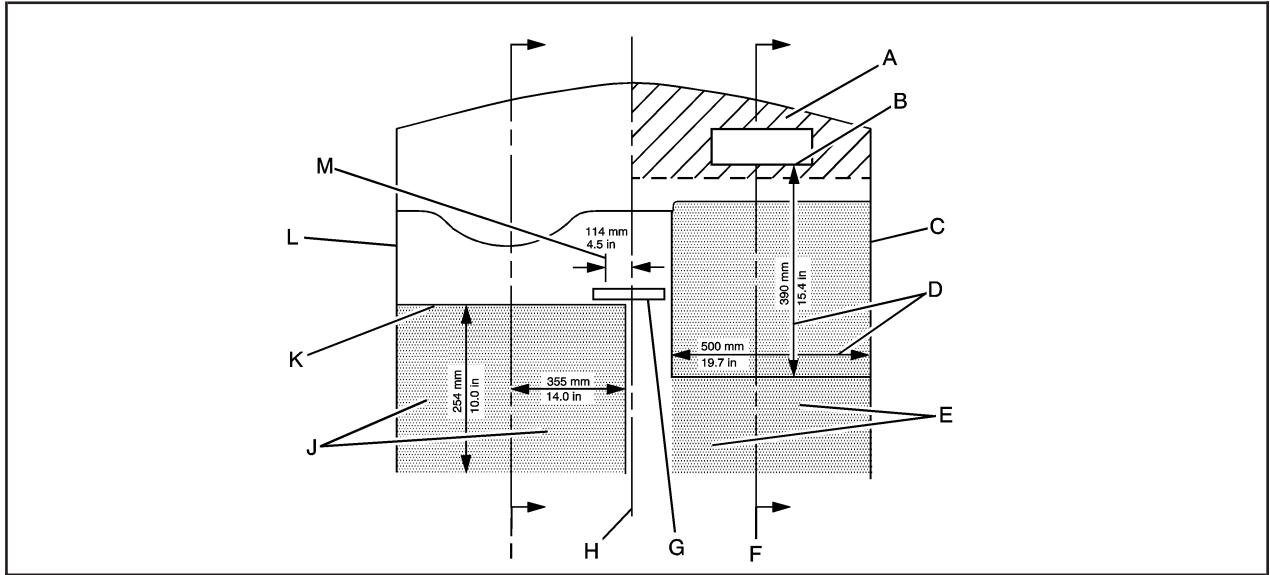
Notice: Do not mount equipment on the passenger side of the instrument panel top pad deployment zone. Equipment should not be mounted on or around the passenger airbag opening because of a deploying airbag. To allow the airbag to perform as it was designed, do not mount equipment inside the airbag deployment zone.

Notice: Your police vehicle may have optional roof-rail airbags. Do not mount a security barrier such that the ends of the barrier or brackets are within the roof-rail deployment zones.

Notice: Your police vehicle may have roof-rail airbags and a rollover sensor. The rollover sensor is mounted on the centerline of the vehicle between the driver and right front passenger positions. If your vehicle has bucket seats, the rollover sensor will be exposed. Do not mount equipment within 25 mm (1 in) of the rollover sensor. This may impact the performance of the airbag system. To allow the airbags to perform as they are designed, do not mount equipment near this area.

Notice: Avoid installing wiring for roof-rail emergency lighting or radio antennas that may restrict the proper deployment of the roof-rail airbags.

Airbag Deployment Diagrams



Top View of Instrument Panel and Approximate Deployment Area of the Airbag Zone

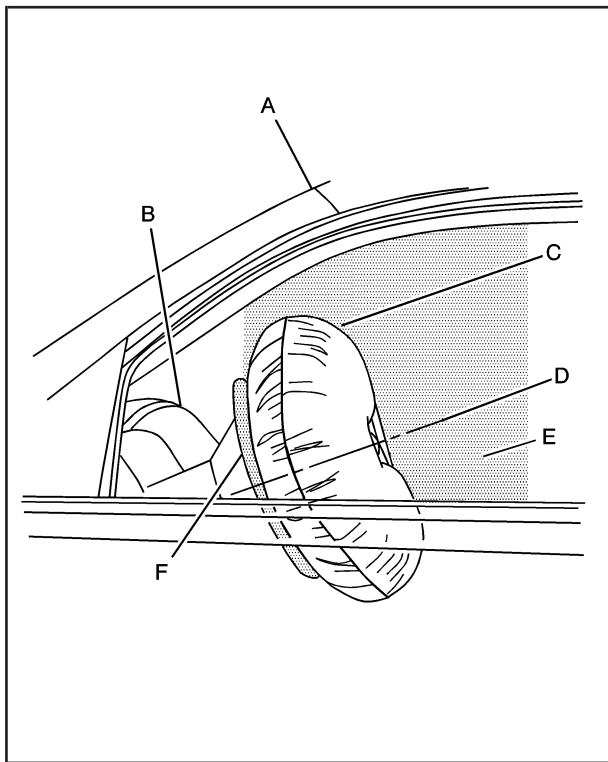
A. Passenger Side Instrument Panel Top Surface Zone

B. Passenger Side Airbag Module Trim Panel — Rear Edge

- C. Passenger Side Door
- D. Approximate Dimensions of Inflated Airbag
- E. Passenger Side Airbag Deployment Zone
- F. Passenger Centerline
- G. Inside Rearview Mirror
- H. Vehicle Centerline
- I. Driver Centerline

- J. Driver Side Airbag Deployment Zone
- K. Front of Steering Wheel
- L. Driver Side Door
- M. Shift Selector Arc

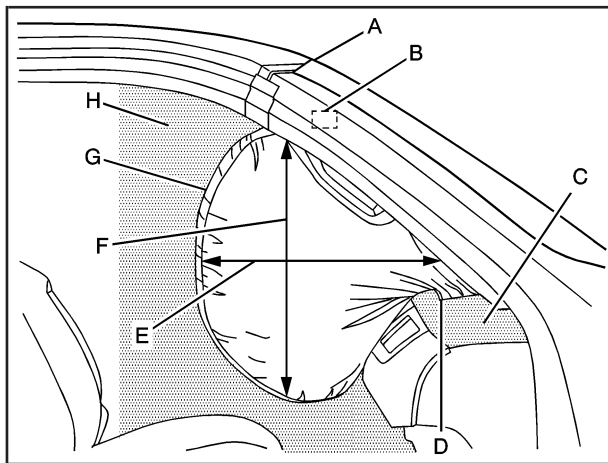
See Notices for Customer-Installed Equipment on page 1-5 for more information.



- A. Top Edge of Windshield
- B. Top of Instrument Panel
- C. Inflated Airbag — Steering Wheel
- D. Centerline of Steering Column at Mid-Tilt
- E. Driver Airbag Deployment Zone
- F. Front of Steering Wheel

See *Notices for Customer-Installed Equipment* on page 1-5 for more information.

Side View of Driver Side Airbag Deployment Zone

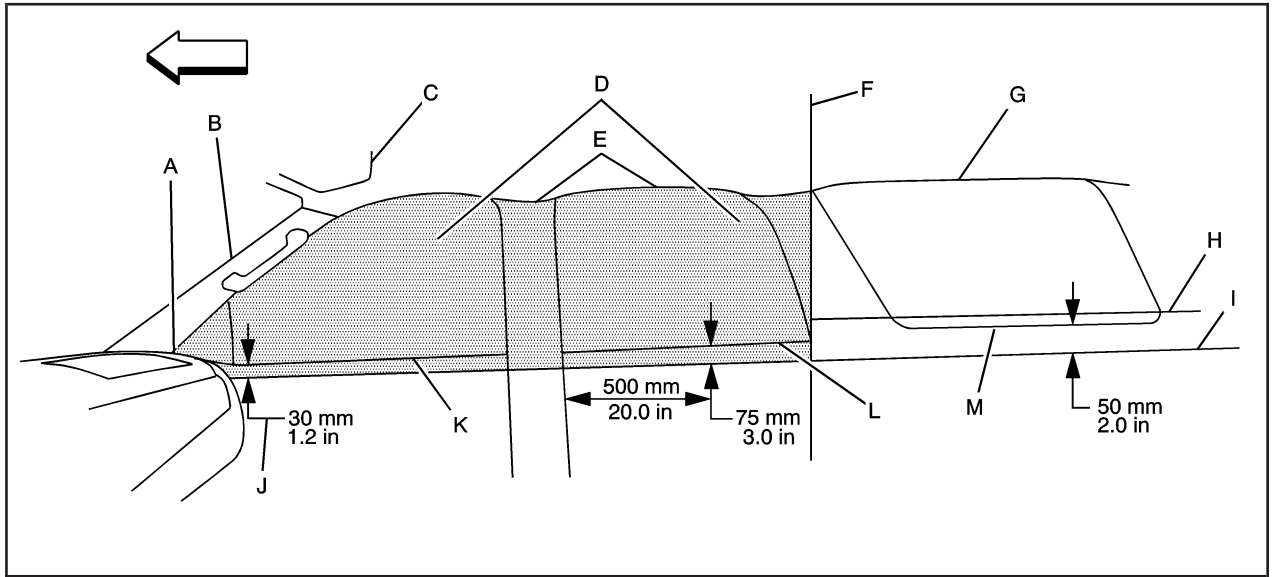


**Side View of Passenger Side Airbag
Deployment Zone**

- A. Top Edge of Windshield
- B. Inside Rearview Mirror
- C. Instrument Panel Top Surface Zone

- D. Passenger Side Airbag Module Trim Panel — Rear Edge
- E. Inflated Airbag — Horizontal Dimension (Approximate 15.4 in (390 mm))
- F. Inflated Airbag — Vertical Dimension (Approximate 19.3 in (490 mm))
- G. Inflated Airbag — Instrument Panel
- H. Passenger Airbag Deployment Zone

See *Notices for Customer-Installed Equipment* on page 1-5 for more information.

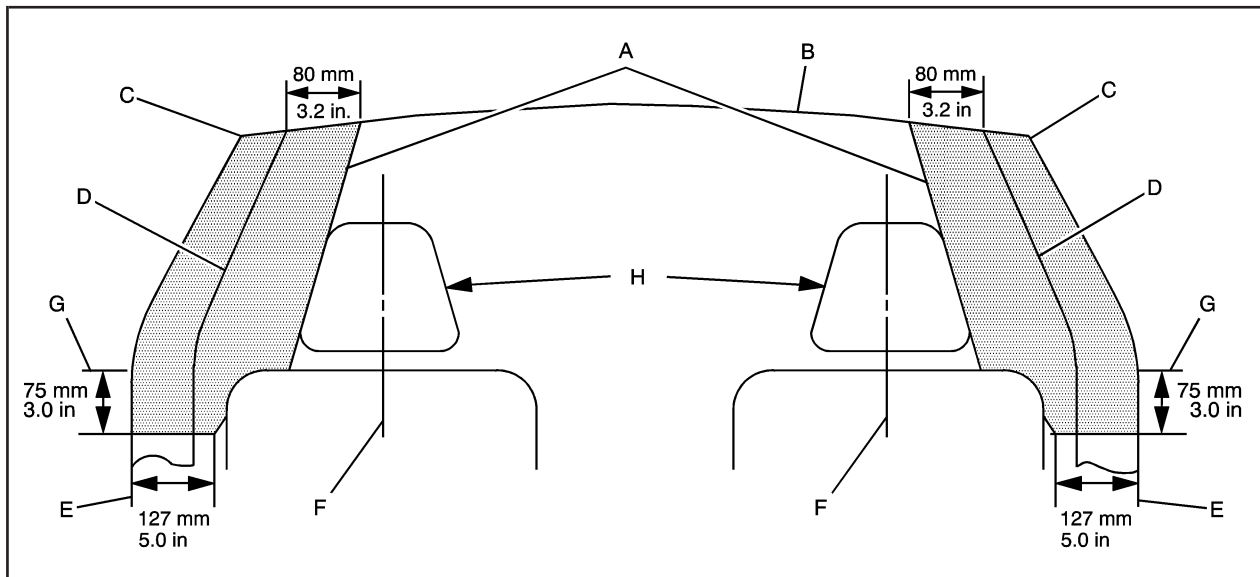


Roof-rail Airbag Deployment Zone - Passenger Side shown, Driver Side similar

- A. Front of Deployment Zone at Front Upper Corner of Front Door Pad
- B. Windshield Pillar Trim with Grab Handle
- C. Visor

- D. Deployment Zone
- E. Top of Deployment Zone — Along Roof-rail at Edge of Headliner

- F. Back of Deployment Zone — At Rear Top Corner of Rear Door Pad
 - G. Rear Quarter Window
 - H. Top Edge of Interior Quarter Trim
 - I. Bottom of Airbag Deployment Zone — Parallel to Outside Bottom Edge of Rear Quarter Glass
 - J. Dimension at Mirror Patch from Top Edge of Front Door Pad
 - K. Top Edge of Front Door Pad
 - L. Top Edge of Rear Door Pad
 - M. Bottom Outside Edge of Rear Quarter Window
- See Notices for Customer-Installed Equipment on page 1-5 for more information.*



Roof-rail Airbag Driver and Passenger Deployment Zones - View from Rear Cargo Area

- A. Roof-rail Airbag Deployment Zone
- B. Underside of Headliner
- C. Edge of Headliner
- D. Inner Center Pillar Trim
- E. Inner Door Pad

- F. Seat Centerline
- G. Bottom of Door Windows
- H. Front Seat Headrests

See *Notices for Customer-Installed Equipment* on page 1-5 for more information.

Section 2 Features and Controls

Keys	2-2	Starting and Operating Your Vehicle	2-3
Specific Cylinder Unit for Single Key - Random		Running the Engine While Parked	2-3
Code System	2-2		

Keys

Specific Cylinder Unit for Single Key - Random Code System

Tahoe Police Package and Special Service Package

If your vehicles are equipped with one of these options, the entire fleet of vehicle locks can be operated with one key.

- SEO 6E2-Specific Fleet Key Code
- SEO 6E8-Specific Fleet Key Code

Your vehicle will be equipped with a standard production random key code if one of the optional fleet codes was not ordered.

For specific key code information, contact your dealer.

Your vehicles will be equipped with a key cylinder in the ignition lock and the driver's door only. Remote keyless entry (RKE) is a standard feature and operates all other doors and the rear liftgate. Six additional RKE transmitters may have been ordered with your vehicle. See your dealer for additional information regarding availability of more RKE units for your vehicle.

The RKE transmitter for your police vehicle has the vehicle locator/panic alarm button disabled. The horn will not sound and the exterior lights will not flash when the button is pressed.

Remote Keyless Entry Transmitter Programming - SEO AMF (Tahoe Police Package and Special Service Package)

Do not operate or program the transmitters in the vicinity of other vehicles that are in the keyless entry program mode. This prevents the programming of the transmitters to the incorrect vehicle.

Up to eight transmitters may be programmed to the RKE on Police and Special Service Package equipped vehicles. The first four transmitters are given the position of #1-#4 in the RKE. Any further transmitters will also be assigned to position #4.

Verify that the proper transmitters are learned to the vehicle. Do not learn a transmitter with a remote start button to a vehicle that does not have remote start.

For the proper procedure to be used for learning transmitters, see your owner's manual.

Starting and Operating Your Vehicle

Running the Engine While Parked

Tahoe Police Package and Special Service Package

While parked with the engine idling for an extended period, turn off the following factory equipment if emergency lighting and communication equipment are operating:

- Air Conditioner
- Fan
- Rear Window Defogger
- Factory Audio System

See “Running Your Engine While You’re Parked” in your owner’s manual Index.

Engine Idle Speed - Alternator Output (Tahoe Police Package and Special Service Package)

Normal idle speed for the engine is set for 600 rpm. To increase alternator output while the transmission remains in PARK (P) or NEUTRAL (N), and the electrical load on the alternator is large enough, the engine idle speed can rise to as high as 800 to 1000 rpm.

 **NOTES**

Section 3 Instrument Panel

Instrument Panel	3-2	Warning Lights, Gages, and Indicators	3-2
Exterior Lamps	3-2	Instrument Panel Cluster	3-2
		Speedometer and Odometer	3-5
		Driver Information Center (DIC)	3-5

Instrument Panel

Exterior Lamps

Tahoe Police Package and Special Service Package

The following exterior lighting features apply to vehicles first sold in the United States.

Your vehicle is equipped with Daytime Running Lamps (DRL) and an Automatic Headlamp System (AHS). The DRL and AHS can be turned to OFF with the headlamp switch when the transmission is in PARK (P) and the engine is at idle. If the engine is not turned off, the DRL and AHS will remain OFF when the transmission is placed in gear. The vehicle may be driven with the lamps off for one ignition cycle.

Your vehicle may have been built with SEO 9G8, DRL AND AHS DISABLE. This feature turns off DRL and AHS and requires manual control of the exterior lighting. See your dealer to restore the DRL and AHS to normal operation.

For vehicles first sold in Canada, the DRL and AHS can be turned off if the transmission is in PARK (P). See your owner's manual for more information.

Special Features

Tahoe Police Package and Special Service Package

The following standard Tahoe features are disabled in the Tahoe Police Package and Special Service Package.

- Entry Lighting and Exit Lighting
- Remote Keyless Entry Feedback (Horn Beep) and (Lamps Flash)

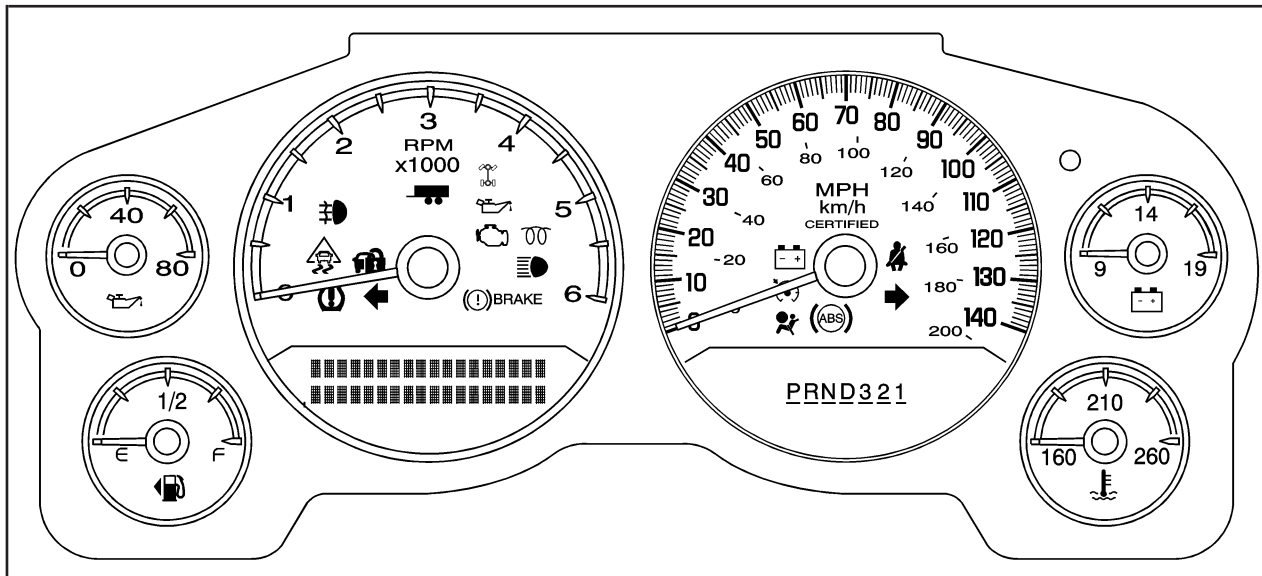
Automatic Door Locking is standard. If you need it disabled, see your dealer.

Warning Lights, Gages, and Indicators

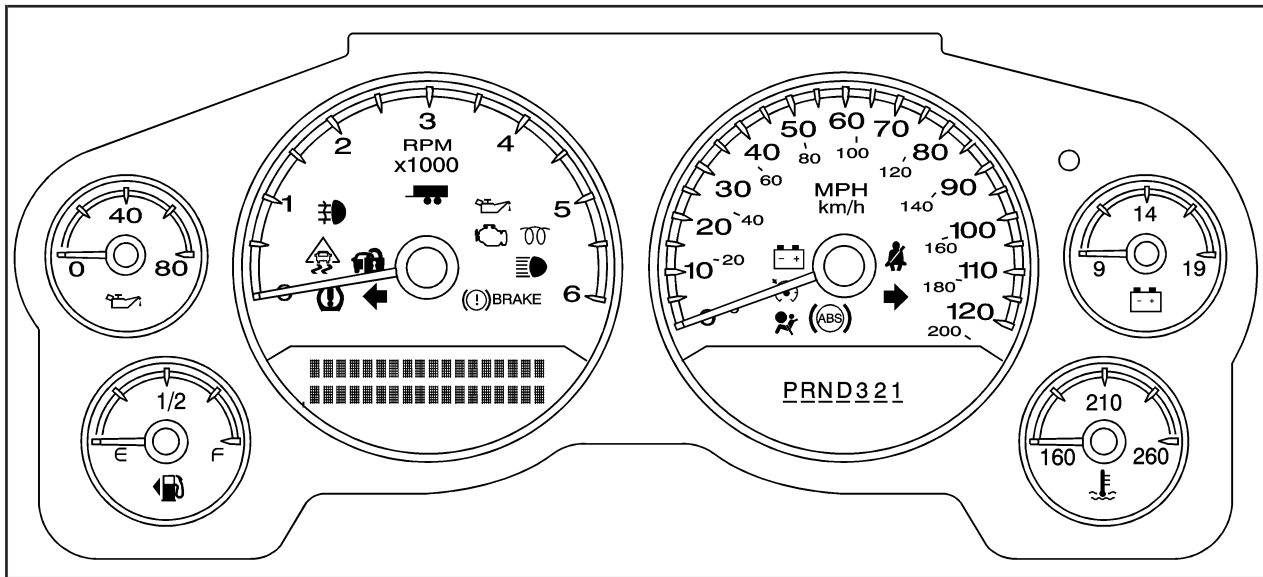
Instrument Panel Cluster

Tahoe Police Package and Special Service Package

The Tahoe Special Service Package instrument panel cluster is similar to the Tahoe Police Package instrument panel cluster, except that the maximum speed displayed is lower and additional indicators may be present. See "Warning Lights, Gages and Indicators" in the Index of your owner manual for more information.



Tahoe Police Package - SEO PPV (United States version shown, Canada similar)



Special Service Package - SEO 5W4 (United States version shown, Canada similar)

Speedometer and Odometer

Tahoe Police Package and Special Service Package

Your speedometer lets you see your speed in both miles per hour (mph) and kilometers per hour (km/h). Your odometer shows how far your vehicle has been driven, either in miles (United States) or kilometers (Canada).

The speedometer for the Tahoe Police Package (SEO PPV) displays a maximum vehicle speed of 140 mph (225 km/h). The speedometer for the Tahoe Special Service Package (SEO 5W4) displays a maximum vehicle speed of 120 mph (193 km/h). The Tahoe Special Service Package is not designed nor intended for use in high-speed emergency vehicle operations.

Driver Information Center (DIC)

Tahoe Police Package and Special Service Package

The Tahoe Police Package and Special Service Packages do not have DIC buttons. You can turn off or acknowledge the available DIC messages by using the trip odometer reset stem located on the instrument panel cluster. See your owner's manual for additional information on the DIC.

Section 4 Driving Your Vehicle

Your Driving, the Road, and Your Vehicle	4-2	Towing	4-4
Loading Your Vehicle	4-2	Towing a Trailer	4-4

Your Driving, the Road, and Your Vehicle

Loading Your Vehicle

Tahoe Police and Special Service Package

The information in this section of the supplement is for those who intend to install additional equipment to the police vehicle after it has left the factory, and for those who will be driving and loading the vehicle with passengers and/or cargo.

Two labels on your vehicle show how much weight it was designed to carry, the Tire and Loading Information label and the Certification/Tire label. These labels are attached to your vehicle and give you the maximum load capacity, the Gross Vehicle Weight Rating (GVWR) and the Gross Axle Weight Rating (GAWR) for your vehicle. See “Loading Your Vehicle” in your owner manual Index for additional loading information.

The following guidelines can help you with proper loading and load distribution when installing additional equipment on the Tahoe Police Package.

CAUTION:

Do not load your vehicle any heavier than the Gross Vehicle Weight Rating (GVWR), or either the maximum front or rear Gross Axle Weight Rating (GAWR). If you do, parts on your vehicle can break, and it can change the way your vehicle handles. These could cause you to lose control and crash. Also, overloading can shorten the life of your vehicle.

Adding Equipment to Your Vehicle

Before adding accessories or equipment to your police vehicle, there are some things you need to know:

- The police vehicle’s maximum capacity weight.
- The weight of your police vehicle, including a full tank of fuel but without a driver and passengers.
- The weight of items you plan on adding to your police vehicle, like roof mounted light bar(s), push bumpers, security barrier(s), rear storage organizer, highway flares, fire extinguishers, weapons, ammunition, radios, and video equipment.

- The weight and number of passengers you intend to carry in your vehicle.
- The total weight of any additional cargo you intend to carry in your vehicle.

When planning your vehicle equipment installation remember not to exceed the Gross Vehicle Weight Rating (GVWR) or the Gross Axle Weight Rating (GAWR) of the front or rear axles. To keep the available load weight less than the vehicle capacity weight, you may need to limit the number of passengers you carry in your vehicle or change your choice of additional equipment.

Center of Gravity (CG)

A vehicle's center of gravity is an imaginary location inside the vehicle and is a balance point for the vehicle mass as it moves down the road. The police vehicle's center of gravity, before you add a load and passengers, is approximately midway between the center of the axles, up from the ground to just below the front window, and between the driver and passenger.

Equipment location and weight on the vehicle's center of gravity is important to keep in mind when planning an installation. Heavy equipment should be positioned as low and as far forward in the rear load compartment as possible. Try to mount the equipment below the bottom of the side windows. Refer to the Loading Zone chart and diagram to help with your installation plan.

A procedure to make the necessary measurements and formulas to calculate the vehicle longitudinal, lateral and vertical position of the center of gravity can be found in the GM Coachbuilders Manual. Equipment required to conduct the measurements for calculating the center of gravity are:

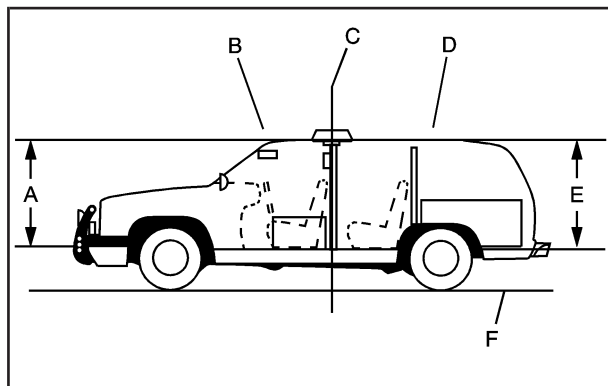
- Weight scales of sufficient capacity to measure the vehicle weight at each wheel.
- A post-type hoist or other means to safely elevate the front of the vehicle to at least an angle of 20 degrees above horizontal.

See your GM dealer to get more information about this coachbuilder procedure.

Keeping the center of gravity midway between the axles is also important to provide proper braking performance. About half the total vehicle weight on each axle is recommended.

Weigh your vehicle after the additional equipment has been installed to determine the actual weight of your vehicle. Weigh the vehicle with a full tank of fuel and without passengers. You may need to put a limit on how many people or other equipment you can carry inside your vehicle after the additional equipment has been installed.

Loading Zones



- A. Front Floor to Roof Zone Area
- B. Front Roof Zone Area
- C. Back of Front Door
- D. Rear Roof Zone Area
- E. Rear Floor to Roof Zone Area
- F. Ground

Loading Zone Weight Chart			
Loading Zones	Front Axle Weight	Rear Axle Weight	Total
Roof	28 lbs (12 kg)	39 lbs (17 kg)	67 lbs (30 kg)
Floor to Roof	103 lbs (46 kg)	408 lbs (185 kg)	511 lbs (231 kg)
Total	131 lbs (59 kg)	447 lbs (202 kg)	578 lbs (262 kg)

Using heavier suspension components to get added durability might not change your weight ratings. Ask your dealer to help you load your vehicle the right way.

Towing

Towing a Trailer

The Tahoe Police Package (SEO PPV) is not intended to tow a trailer.

The Tahoe Special Service Package (SEO 5W4) can be equipped for trailer towing. See "Towing a Trailer" in the owner's manual Index for more information.

Section 5 Service and Appearance Care

Checking Things Under the Hood	5-2	Tires	5-2
Dual Battery System - SEO 6A6	5-2	Tire Pressure Monitor System	5-2
		Capacities and Specifications	5-3

Checking Things Under the Hood

Dual Battery System - SEO 6A6

Your vehicle may have a dual battery system. The two batteries are connected so that both supply battery power to the vehicle at the same time — they are connected in parallel. See “Battery” in your owner manual Index for additional information on batteries.

Tires

Tahoe Police and Special Service Packages

The Tahoe Police Package, SEO PPV, has Goodyear P265/60R17 All Season Touring BW, H speed-rated tires. The Special Service Package, SEO 5W4, has P265/70R17 BW OOR On-Off-Road or P265/70R17 BW AL2 Touring tires. The Special Service Package is not designed nor intended for use in high-speed emergency vehicle operations.

Wheels

Metal hub caps are standard with SEO PPV. These caps are bolted to the wheels and do not require removal when rotating or removing the wheels. Loosening or tightening the decorative wheel attachment nuts can be done with the hub caps in place.

Tire Pressure Monitor System

The Tahoe Police and Special Service Packages are equipped with a Tire Pressure Monitor (TPM) system. Sensors are mounted on each tire and wheel assembly. Only the Tahoe Police Package (SEO PPV) has a TPM sensor in the full-size spare tire and wheel assembly. The TPM system will not monitor or display the spare tire's air pressure until it is installed onto one of the four tire/wheel positions on your vehicle.

Once installed, the spare tire's sensor code must be matched its new tire/wheel position on your vehicle. See “Tire Pressure Monitor System” in your owner manual Index for information about the TPM system.

Capacities and Specifications

Capacities

Application	Capacities	
	English	Metric
Cooling System	18.1 quarts	17.1 L

Section 14 Special Equipment Options

SEOs Available with Police Package and

Special Service Package14-2

Exterior Lamp Emergency Flashing
System - SEO 6J714-2

Inactive Rear Door
Handles - SEO 6B214-4

Inactive Rear Door
Windows - SEO 6N514-4

Inactive Rear Door
Locks - SEO 6N614-4

Spotlamp - SEO 7X614-4

Spotlamps - SEO 7X714-5

Wiring Provisions for Horn/Siren
Circuit - SEO 6J414-6

Wiring Provisions for Vehicle Grille Lamps,
Flasher and Speaker/Siren - SEO 6J314-8

Wiring Provisions for Front
Speakers - SEO WX714-10

Wiring Provisions for Emergency Vehicle
Roof Light - SEO TRW14-12

SEOs Standard with Police Package and Special Service Package14-17

Special Equipment Options Standard with
Tahoe Police Package14-17

Equipment Grounding Studs - Rear
Compartment14-18

Radio Suppression Grounding Straps14-18

Auxiliary Battery Power Junction Block(s)14-19

Wiring Provisions for 12-Volt Power Supply14-20

SEOs Available with Police Package and Special Service Package

Exterior Lamp Emergency Flashing System - SEO 6J7

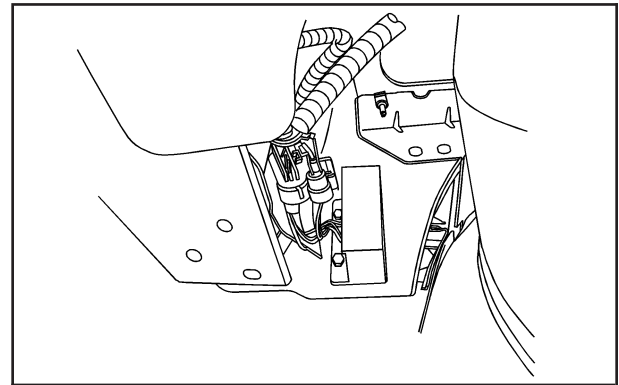
SEO 6J7 provides a high-beam headlamps flashing module, rear lamps flashing and control wire for a customer-furnished switch to turn the module on or off. The flasher control wire is coiled under the center of the instrument panel. This control lead may be combined with the interior wiring leads for SEO 6J3 when that option is ordered with SEO 6J7.

The headlamps flashing module is located below the passenger's side front headlamp and forward of the passenger's side front wheel. The module is connected to an inline connector in the forward lamp harness. The headlamps flashing module is activated by the application of 12 volts to a dark green/red wire coiled in the passenger's side footwell. When activated, the driver's and passenger's side high-beam headlamps and the high-beam instrument panel cluster light will flash alternately at 2.4 flashes per second.

When the headlamps flashing module is turned on, the module sends a signal to the Body Control Module (BCM). The BCM alternately flashes the stop lamps and

backup lamps. Depressing the brake pedal will override the stop lamp flashing and placing the transmission in reverse will override the backup lamp flashing.

During daylight conditions, the Daytime Running Lamps (DRL) are automatically turned off whenever the headlamps flasher module is activated. During nighttime conditions, the low-beam headlamps turn on automatically while the high-beam headlamps flash. Turning on the high-beam headlamps manually with the turn signal/multifunction lever will override the flashing module and the high-beam headlamps will operate continuously.



Headlamps Flasher Module — SEO 6J7

A 20 amp fuse protects the flasher module circuit. This fuse is located in the underhood fuse block in the engine compartment on the driver's side of the vehicle and is labelled HEADLAMP WASH. See "Fuses and Circuit Breakers" in the Service and Appearance Care section of your Tahoe owner's manual for more information.

When it is dark outside, the taillamps will turn on automatically. The Center High-Mounted Stoplamp (CHMSL) will not flash and will operate only when the regular brake pedal is pressed.

C122										
GROUND	250	18 ga. (0.8 mm ²)	BK	A	<					
LH HDLP HI*	711	18 ga. (0.8 mm ²)	D-GN/WH	B	<<	B	711	18 ga. (0.8 mm ²)	D-GN/WH	Left High Beam Headlamp
FLASHER POWER (From Headlamp Wash Fuse)*	3640	18 ga. (0.8 mm ²)	RD/WH	C	<					
RH HDLP HI*	311	18 ga. (0.8 mm ²)	L-GN/BK	D	<<	D	311	18 ga. (0.8 mm ²)	L-GN/BK	Right High Beam Headlamp
CONTROL WIRE (From Switch)	6820	18 ga. (0.8 mm ²)	D-GN/RD	E	<					
SIGNAL TO BCM	6841	18 ga. (0.8 mm ²)	BU/YE	F	<					
*FUSE, FUSE BLOCK, UNDERHOOD										

Forward Lamp Harness In-Line Connector for use with Headlamps Flasher Module, Option 6J7

Inactive Rear Door Handles - SEO 6B2

Your vehicle may be equipped with inactive door handles. The rear doors can only be opened from the outside.

Inactive Rear Door Windows - SEO 6N5

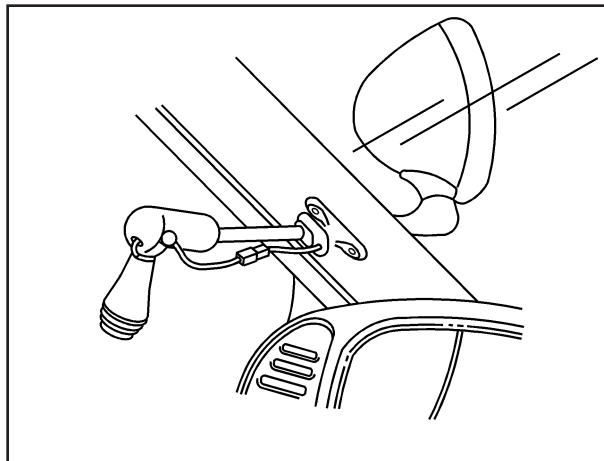
Your vehicle may be equipped with inactive rear door window control switches. Only the driver's power window switches can operate the rear windows.

Inactive Rear Door Locks - SEO 6N6

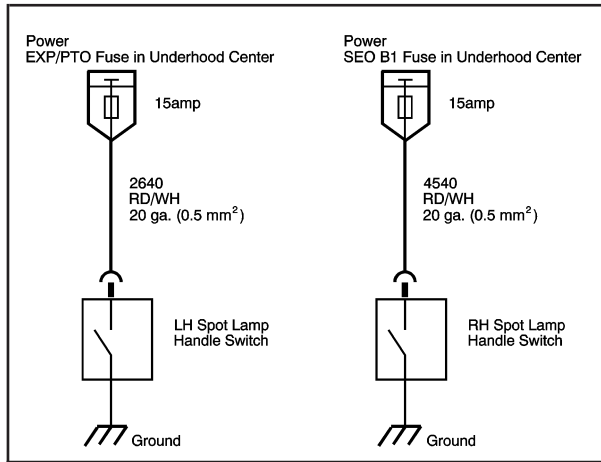
Your vehicle may be equipped with inactive rear door locks. The rear door locks do not lock or unlock at the door. Only the driver's power door lock switch locks or unlocks the rear door locks.

Spotlamp - SEO 7X6

Spotlamp - Windshield Pillar Mounted



A Unity Series 330, high intensity, 100 watt halogen (H3 bulb) six inch (15 cm) spotlamp is mounted in the left windshield pillar. The lamp is protected by a 15 amp fuse located in the underhood electrical center. See the service manual for lamp replacement procedures.



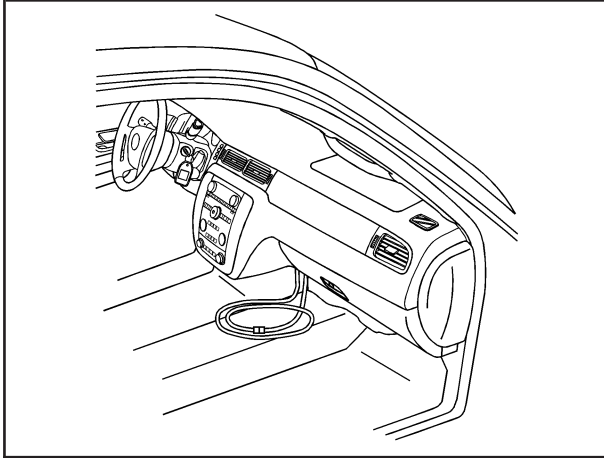
Spotlamp Harness - SEO 7X6, SEO 7X7

Spotlamps - SEO 7X7

SEO 7X7 includes a driver side and a passenger side spotlamp located in the windshield pillars. Each spotlamp is protected by a separate 15 amp fuse located in the underhood electrical center.

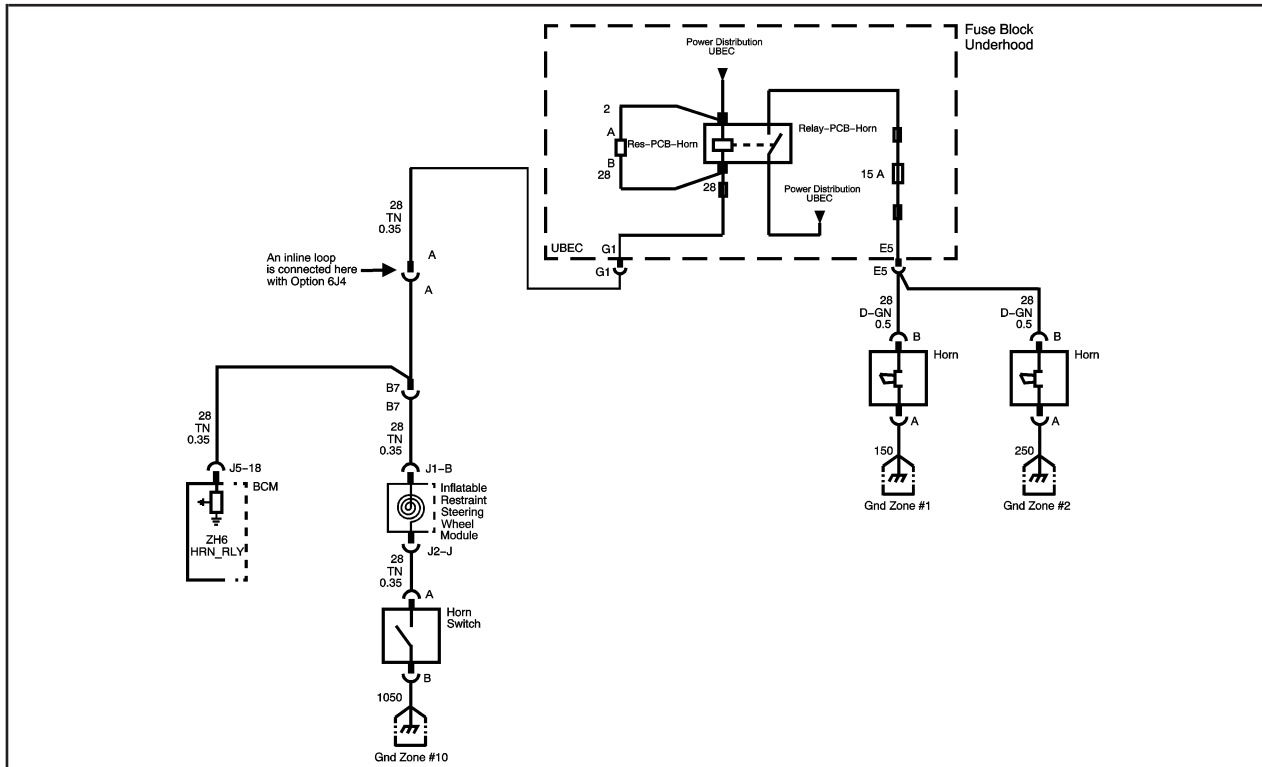
For spotlamp bulb replacement procedures, see the appropriate section of the service manual.

Wiring Provisions for Horn/Siren Circuit - SEO 6J4



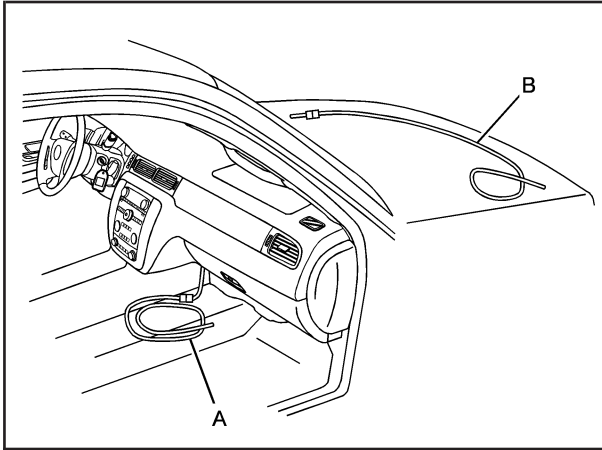
This provision permits customer connection of a switch to select either horn or siren operation when the horn pad is pressed.

A 22 gauge (0.35 mm²) wire is connected to an in-line connector in the horn circuit of the instrument panel harness under the instrument panel. The end of this harness extension is in a 5 foot (1.5 m) loop of wire coiled under the center of the instrument panel.



Wiring Diagram for SEO 6J4 Inline Connector

Wiring Provisions for Vehicle Grille Lamps, Flasher and Speaker/Siren - SEO 6J3



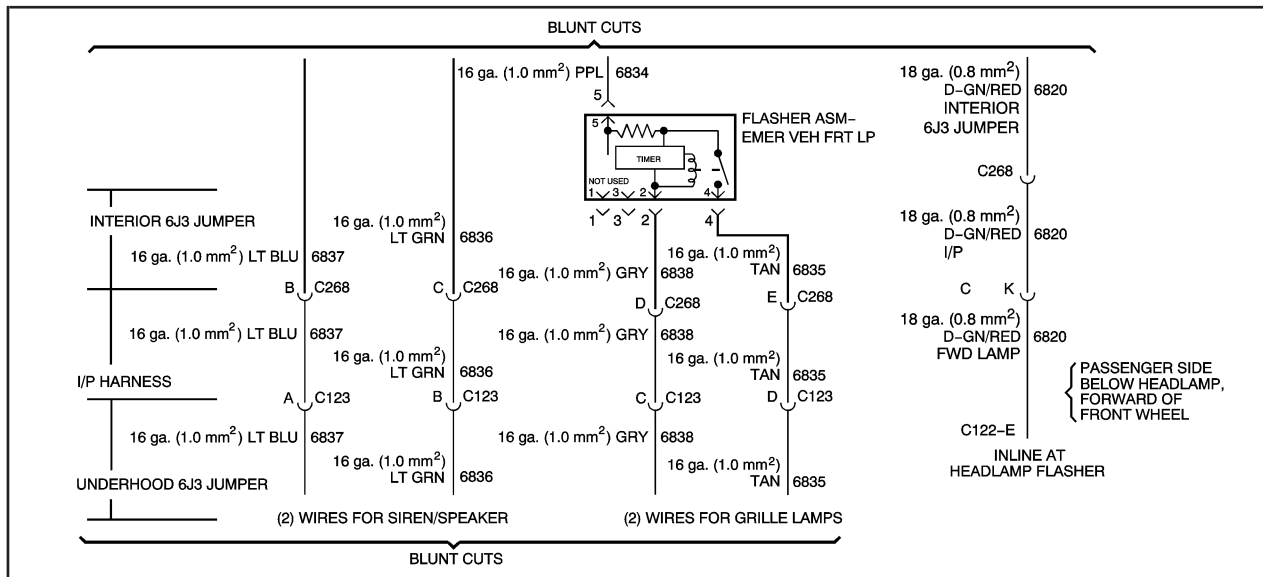
Alternating Signal Flasher

- A. Blunt cut ends for the Alternating Signal Flasher, Customer-Furnished Grille Lamps and Customer-Furnished Siren/Speaker
- B. Control Wires from In-Line Connector in Forward Lamp Harness for Customer-Furnished Grille Lamps and Speaker

This wiring provision option consists of one 16 gauge (1.0 mm²) wire connected to an alternating signal flasher located underneath the instrument panel on the passenger side. Five feet (1.5 m) of extra wire from the flasher is routed from underneath the instrument panel to an area behind the grille. All four wires have 12 inches (30 cm) of extra wire in a coil behind the grille. Grille lamps and the speaker are not included. The flasher is not included when SEO 6J7 is ordered without SEO 6J3.

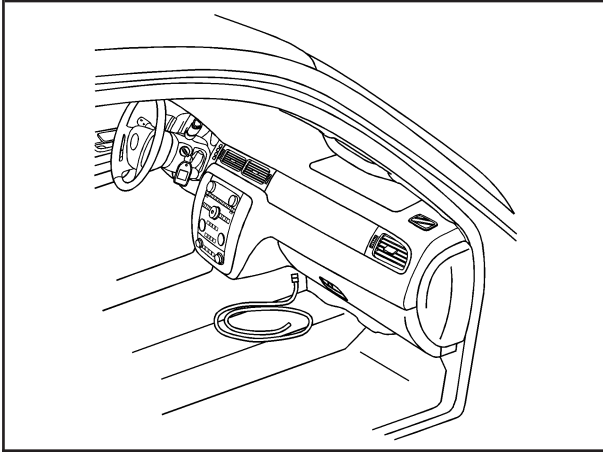
The SEO 6J3 wiring provision also includes control wiring for the SEO 6J7 exterior lamps emergency flashing system. A dark green/red 18 gauge (0.8 mm²) headlamps flasher module control wire activates the flashing system when 12-volts are applied.

When SEO 6J7 is installed without SEO 6J3, only the dark green red control wire is provided for connection to customer-furnished 12-volt switching to turn the emergency flashing system on or off.



Wiring Diagram for SEO 6J3 and SEO 6J7

Wiring Provisions for Front Speakers - SEO WX7



About 65 inches (165 cm) of auxiliary speaker wire is run from the instrument panel radio connector and is coiled under the center of the instrument panel. The wiring permits the connection of front door speakers to customer-installed communication equipment.

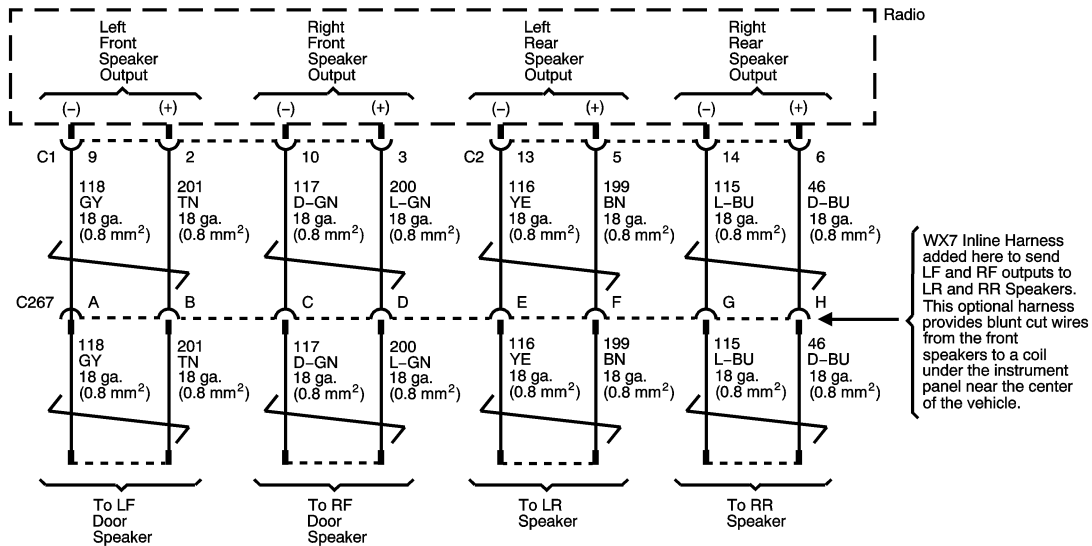
Radio outputs from the front speakers are sent to the rear speakers to maintain the required open door/key in the ignition reminder chime

Electrical Connections

1. Disconnect the negative (-) battery cable at the battery.
2. Remove the tape from the wire coiled under the instrument panel to uncoil it.
3. Using proper electrical connectors, connect the wires for the left front audio output of the customer-installed communication device. The left front positive wire is tan and the left front negative wire is gray.
4. Using proper electrical connectors, connect the wires for the right front audio output of the customer-installed communication device. The right front positive wire is light green and the right front negative wire is dark green. The electrical impedance of each speaker installed is 10 ohms.

Notice: Overloading the vehicle's electrical system may damage your vehicle's accessories. Do not overload the vehicle's system by having unnecessary accessories on at the same time.

5. The ignition must be turned off and the vehicle must be vacated prior to attaching the cable to the battery. Connect the negative (-) battery cable to the battery and tighten the bolt to 3.7 lb ft (5 N·m).
6. Set the time on the clock and radio pushbuttons as needed. See "Audio Systems" in the Index of the vehicle's owner manual for more information.



Wiring Diagram for SEO WX7 Inline Connector

Wiring Provisions for Emergency Vehicle Roof Light - SEO TRW

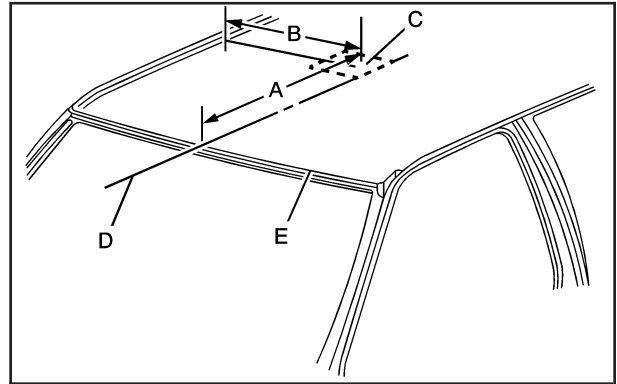
Battery power is supplied through a 30 amp fuse to a wiring harness located in the roof. Power is controlled with a switch located in the overhead console.

The customer or vehicle upfitter must complete the installation to an added accessory such as an emergency beacon lamp.

Maximum rated electrical load is 21 amps (250 watts). The added electrical requirements must not exceed 21 amps (250 watts). Running the accessory for long periods of time with the engine off may run the battery down.

Installation Instructions — Emergency Vehicle Roof Panel Lamp

Wiring to the accessory can be done by either directly connecting the wire in the roof to the accessory (Option A) or by using Wiring Harness Package part number 12150250 obtained from GM Service Parts (Option B).



- A. 25.39 inches (645 mm) D. Roof Centerline
B. 17.32 inches (440 mm) E. Roof Edge
C. 3.94 inches (100 mm)
square

1. Disconnect the negative (-) battery cable at the battery.
2. Make the electrical connections using either option A or option B.

Notice: Pulling the wiring harness through a panel hole that has sharp edges may cause damage to the wire and/or wire insulation. Remove sharp edges from the panel hole before pulling the wire through it.

Option A: Roof Wires Directly to Accessory

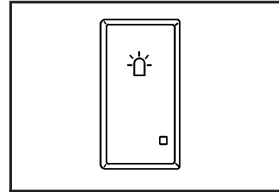
1. Drill a 3/8 inch to 1/2 inch (10 to 13 mm) hole in the outer roof panel in the area shown in the illustration. The hole should only go through the outer panel. Remove all sharp edges from the drilled hole.
2. Remove the inside overhead console access panel/lamp lenses.
3. The accessory harness is coil tied to the passenger's side of the vehicle at the console inner bracket.
4. Cut the tape holding the harness coil.
5. As one person watches the roof hole from the outside for the end of the harness, a second person from the inside of the vehicle should snake the harness toward the hole.
6. Pull out the wiring harness being careful to avoid scraping the insulation on the edge of the hole.
7. Extend the wiring harness to the accessory.
8. Connect the dark green wire to the accessory hot terminal.
9. Connect the black wire to the accessory ground terminal.
10. Cover the hole in the roof with a durable sealant such as silicone rubber sealer.
11. Reinstall the overhead console access panel/lamp lenses.

Option B: Use Wiring Harness Package 12150250. Obtain from GM Service Parts through the GM Dealership

1. Drill a 1.25 inch (32 mm) hole in the outer roof panel in the area shown in the illustration. The hole should only go through the outer panel. Remove all sharp edges from the drilled hole.
2. Remove the inside overhead console access panel/lamp lenses.
3. The accessory harness is coil tied to the passenger's side of the vehicle at the console inner bracket.
4. Cut the tape holding the harness coil.
5. As one person watches the roof hole from the outside for the end of the harness, a second person from the inside of the vehicle should snake the harness toward the hole.

6. Pull out the wiring harness being careful to avoid scraping the insulation on the edge of the hole.
7. Cut the wire to length. Install terminals to wire ends and insert into the connector. The dark green wire goes to cavity A and the black wire in cavity B. Push in the secondary lock to retain the wires.
8. Attach the harness assembly from the package to the accessory. Cover with the supplied conduit for added protection. Connect the orange wire to the accessory hot terminal and the black wire to the ground.
9. Complete the connection from the roof harness to the extension harness. Cover the mated connector with the supplied foam. Push the foam covered connection and excess wire through the roof panel hole.
10. Reinstall the overhead console access panel/lamp lenses.

Restoring Power



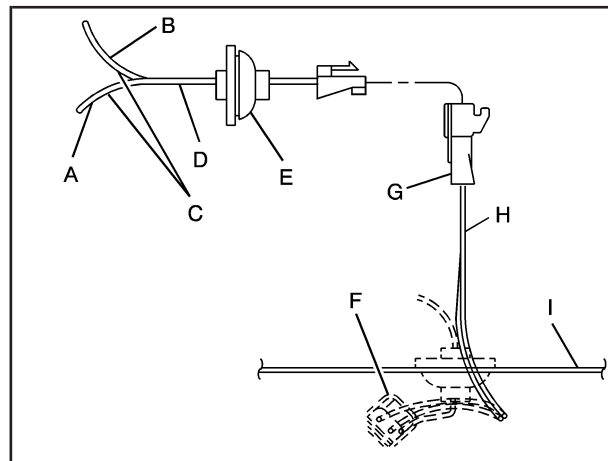
The auxiliary lamp switch is located on the overhead console.

This switch includes wiring provisions for a dealer/retailer or a qualified service center to install an auxiliary roof lamp. When the wiring is connected to an auxiliary roof mounted lamp, pressing the bottom of the switch will activate the lamp and illuminate an indicator light at the bottom of the switch.

Pressing the top of the switch again will turn off the roof mounted lamp and indicator.

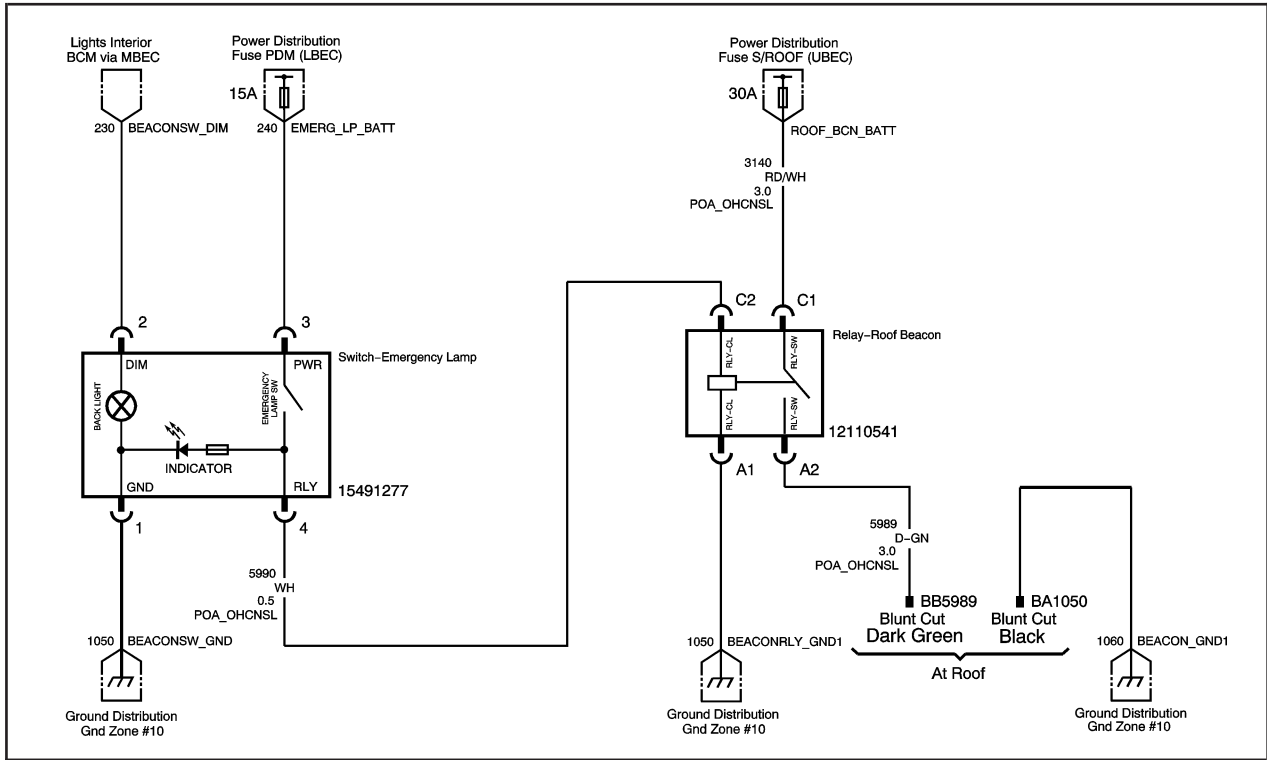
1. Be sure that the auxiliary lamp switch is off.
2. Vacate the vehicle and reconnect the battery cable.
3. Turn the auxiliary lamp switch on. The accessory should now be working. If it is not working, check the connections.
4. After ensuring that the accessory is working properly, install the grommet in the hole. Seal with silicone sealer to prevent water leakage.

Notice: Overloading the vehicle's electrical system may damage your vehicle's accessories. Do not overload the vehicle's system by having unnecessary accessories on at the same time.



Option B

- | | |
|-------------------------------------|---|
| A. Black Wire | G. Harness Connector, Secondary Lock and Terminal |
| B. Orange Wire | H. Dark Green and Black Wires |
| C. To Roof Mounted Lamp | I. Vehicle Outer Roof Panel |
| D. Harness Assembly | |
| E. Grommet (Roof) | |
| F. Foam Insulator (Adhesive-Backed) | |



Wiring Diagram for SEO TRW

Maintenance

The emergency roof light circuit is fed from the fuse labeled Sunroof located in the underhood electrical center. Always replace the fuse with a 30 amp mini-fuse.

SEOs Standard with Police Package and Special Service Package

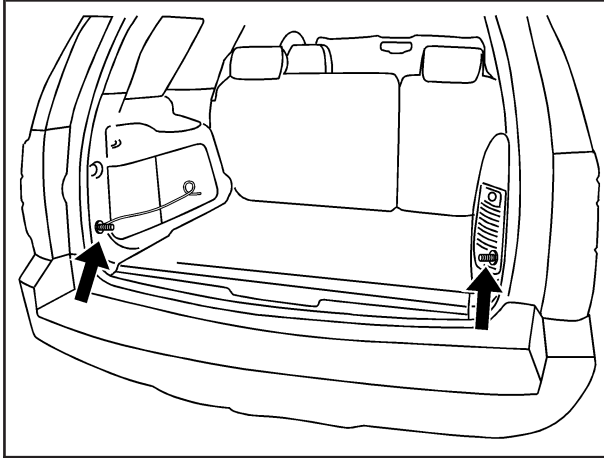
Special Equipment Options Standard with Tahoe Police Package

Notice: GM cannot be responsible for any changes made to the vehicle. Have all electrical and body modifications performed by experienced technicians.

- Be sure that any modified or added wiring will work properly with your vehicle's wiring system.
- See that all wiring is properly protected by fuses, and not causing an overload to connectors and components.

- Do not route wiring in areas of the vehicle where temperatures can be high or where wiring may be cut, pinched or rubbed.
- See that all added wiring is of the same or smaller gauge than the wire it is being attached to for proper fuse protection.
- Be sure that all holes drilled in the body are properly sealed and corrosion protected. See that the vehicle's wiring harnesses, piping and other components have not been displaced or damaged during customer installations of equipment and wiring.

Equipment Grounding Studs - Rear Compartment



Your Tahoe Police and Special Service Package has grounding studs located at the lower driver's side and passenger's side rear compartment liftgate opening for connection to customer electrical equipment.

A five foot (1.83 m) blunt cut length of #8 awg copper wire is coiled inside the jack storage compartment to permit grounding of electrical equipment that may be mounted forward in the rear compartment and behind the second row seatback.

Radio Suppression Grounding Straps

Your Tahoe Police Package and Special Service Package are equipped with additional grounding straps in the following locations:

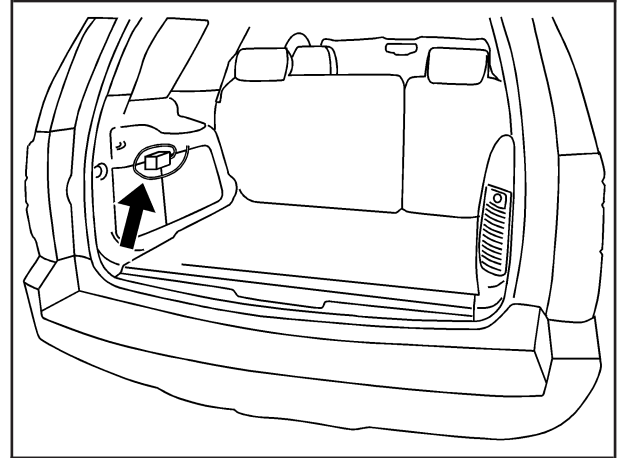
- Driver's side front frame body mount bracket to underbody
- Driver's side rear frame body mount bracket to rear underbody
- Passenger's side rear frame body mount bracket to rear underbody
- Passenger's side center frame body mount bracket to center underbody
- Exhaust pipe hanger rod to rear frame

Auxiliary Battery Power Junction Block(s)

Two auxiliary power junction blocks are located within the driver's side rear cargo area jack stowage compartment. Each junction block is powered directly from the battery through a 50 amp circuit breaker for connection to customer-furnished equipment. The two circuit breakers are located in the breaker/relay panel forward of the instrument panel glove box. A maximum load of 50 amps (600 watts) can be connected to each junction block. The wiring diagram for this circuit is shown as part of the diagram for "Wiring Provisions - 12 Volt Battery Power".

The two junction blocks are connected to coiled 5 foot (1.5 m) branches of the rear body harness and fastened near the jack. Mounting of the junction blocks can be at customer-selected rear cargo area locations permitted by the branch harness length and using customer-furnished mounting hardware.

The junction blocks should not be attached to the interior trim plastic components without appropriate backing hardware to the mounting bolts.



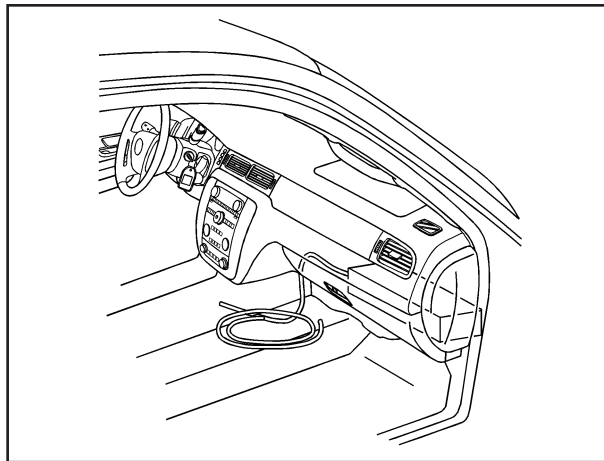
To connect the customer-furnished equipment at the junction blocks, use the following steps:

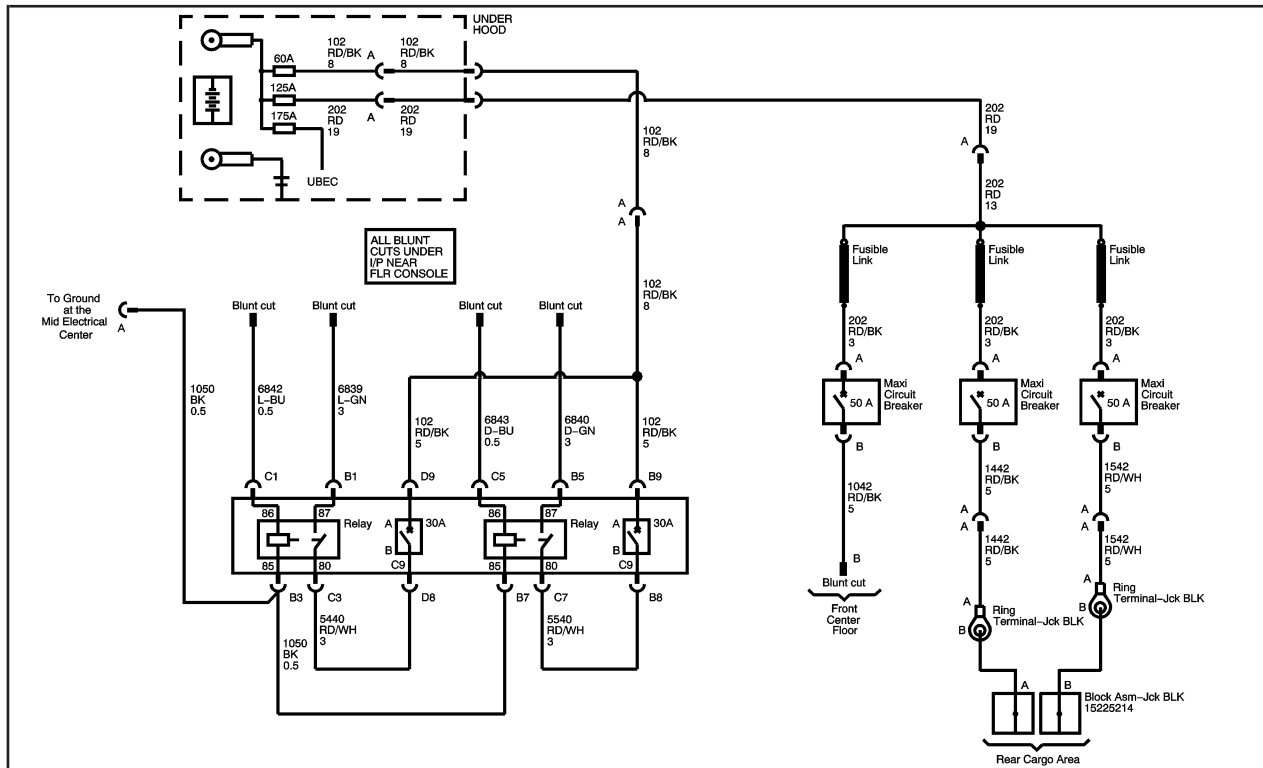
1. Disconnect the negative (-) battery cable.
2. Connect the customer-furnished equipment positive leads to the junction block terminals and tighten to 11 lb ft (15 N·m).

The ignition must be turned off and the vehicle vacated prior to connecting the negative (-) battery cable to the battery.

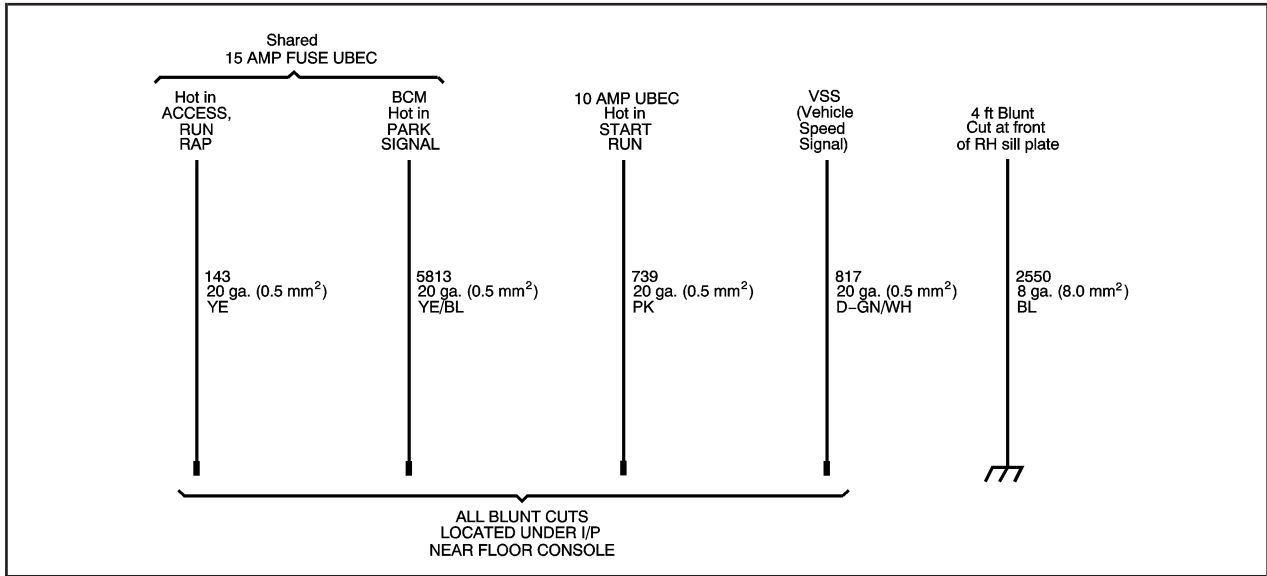
3. Reconnect the negative (-) battery cable to the battery. Torque the bolt to 3.6 lb-ft (5 N·m).
4. Set the time on the clock and radio pushbuttons as needed. See "Audio Systems" in the Instrument Panel section of your Tahoe owner's manual for more information.

Wiring Provisions for 12-Volt Power Supply





Wiring Provisions - 12-Volt Battery Power



Your vehicle is equipped with wiring provisions for a 12-volt battery power supply. Refer to the following information when adding electrical accessories that will use the 12-volt power supply feeds connected to your vehicle's electrical system.

The wiring harness is located below the instrument panel near the center of the vehicle. The following information describes the breaker and relay location and provides a wiring diagram to aid in connecting customer equipment.

Electrical Connections

Notice: Before modifying or adding any wiring, be sure that it will work properly with your vehicle's wiring system. Because there are so many modifications that can be made for many different bodies and accessories, GM cannot take responsibility for any changes made. Such changes may not be covered by your GM Warranty. Have the work done by an experienced electrical technician.

All wiring must be properly protected by fuses, etc. and must be routed properly so that it will not be cut, pinched or rubbed by other parts of the vehicle. Do not route wiring in areas where it will be very hot. Be sure not to overload the vehicle's wiring, connectors and components. All added wire must be at least the same size as the wire being attached to for proper fuse protection.

Installation Instructions — 12-Volt Accessory Power Supply

1. Disconnect the negative (-) battery cable at the battery. The negative (-) battery cable must be disconnected before the positive wiring lead is connected to the power accessory.
2. Locate the power supply harnesses, one under the instrument panel near the center of the vehicle, and one within the driver side rear cargo area jack stowage compartment.
3. Prepare the wires that are to be used to connect the power accessory. Do not remove the unused wires. Tape unused wires back in their original position under the instrument panel.
4. Complete the wiring installation of the customer added accessory with additional wire required for the specific electrical accessory power connection. The wire gauge, 12 gauge (3.0 mm²), should be the same as the wiring of the installed harness.

5. The ignition must be turned to OFF prior to attaching the cables to the battery, or serious damage to the Body Control Module (BCM) may result.

The windshield wiper switch and the radio must be turned off before attaching cables to the battery.

6. Reconnect the negative (-) battery cable to the battery. Torque the bolt to 3.6 lb-ft. (5 N·m).
7. Reset the clock time and radio pushbuttons as desired.

The 12-volt battery power is supplied through two underhood mega fuses, one 125 amp and one 60 amp. This underhood power is fed to the breaker/relay center via a harness that passes through the driver side front of the dash, and routes across the instrument panel to a position forward of the glove box. The breaker/relay center is mounted to the instrument panel structure forward of the glove box. The center includes a plastic bracket, two relays, two 30 amp breakers and three 50 amp mega circuit breakers.

Two 30 amp breakers supply power from the underhood 60 amp mega fuse through the contacts of the control relays to 12 gauge (3.0 mm²) blunt cut wires. These two blunt cut leads are part of wire coil under the instrument panel near the center of the vehicle.

Each relay is operated by a 20 gauge (0.5 mm²) blunt cut, light or dark blue control lead included in the 4 foot (122 cm) loop of wire coiled under the instrument panel.

Three 50 amp mega circuit breakers, protected by three fusible links, supply power directly from the underhood 125 amp mega fuse through three, 10-gauge wires (5.0 mm²) wires. Two of the wires are routed through the body harness to buss junction blocks in the left rear of the cargo area and secured near the jack and tools. This 4 foot (122 cm) of coiled wires can be accessed by removing the cup holder on the top of the trim panel. The third 10-gauge (5 mm²) wire is a blunt cut lead which is part of the 4 foot (122 cm) loop of wire coiled under the instrument panel near the center of the vehicle.

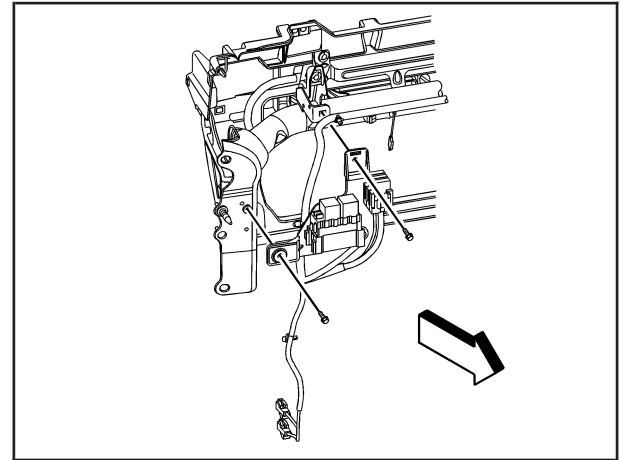
An 8-gauge (8 mm²) ground lead is also provided, and it is located under the front passenger sill plate. It can be accessed by removing the sill plate and pulling the loop of wire at the front of the plate. The lead is 4 feet (122 cm) long.

Blunt cut ignition controlled power and signal circuits are also included in the wire coiled under the instrument panel near the center of the vehicle. They include:

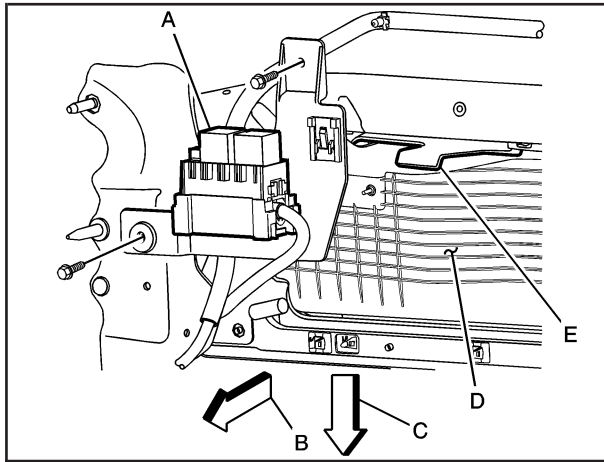
- *A yellow, 20 gauge (0.5 mm²) circuit, Hot in ACCESSORY, RUN or RAP (Retained Accessory Power).
- A pink, 20 gauge (0.5 mm²) circuit, Hot in START and RUN. (7A maximum load)
- *A yellow/black, 20 gauge (0.5 mm²) transmission park signal. The circuit provides switched power when the transmission is in PARK (P) even if the ignition is turned to OFF.
- A dark green/white, 20 gauge (0.5 mm²) Vehicle Speed Signal (VSS) provides 4,000 pulses per mile.

*These two circuits share a 15 amp fuse.
(10 amp combined maximum load)

Servicing Relays and Fuses



Fuse/Relay Center



Enlarged View of the Fuse Block

- | | |
|--------------------------------|-------------------------|
| A. Relays and Circuit Breakers | C. Floor of the Vehicle |
| B. Front of the Vehicle | D. Glove Box |
| | E. Tab |

The following information tells you how to access your vehicle's relay and breaker center for checking and replacing breakers.

The breaker and relay center is located behind and above the instrument panel storage compartment. Remove contents from the storage tray. Using the tab at the back of the compartment, drop the tray down gently toward the floor. It will hang from the hinge. You will find the breaker/relay center above the right rear corner of the storage compartment. The bracket is attached to the instrument panel structure with two screws.

Replace a 30 amp circuit breaker with GM Part No. 12182117 circuit breaker, or equivalent. Replace a relay with a GM Part No. 12193604 relay, or equivalent. Replace a 50 amp circuit breaker with a GM Part No. 15319848 circuit breaker, or equivalent.

Reinstall the storage tray into the compartment by lifting it into the instrument panel.

A

Airbag Deployment Diagrams	1-6
Airbag, Notices for Customer Installed Equipment	1-5
Airbags, Questions and Answers About Airbags and Specialty Law Enforcement Vehicles	1-2
Auxiliary Battery Power Junction Block(s)	14-19

B

Battery Dual System - SEO 6A6	5-2
--	-----

C

Canadian Owners	ii
Capacities and Specifications	5-3

D

Driver Information Center (DIC)	3-5
---------------------------------------	-----

E

Engine Running While Parked	2-3
Exterior Lamp Emergency Flashing System - SEO 6J7	14-2
Exterior Lamps	3-2

G

Gage Speedometer	3-5
Grounding Studs, Equipment, Rear Compartment	14-18
Grounding Studs, Radio Suppression	14-18

H

Headlamps	
Exterior Lamps	3-2

I

Inactive Rear Door Handles - SEO 6B2	14-4
Inactive Rear Door Locks - SEO 6N6	14-4
Inactive Rear Door Windows - SEO 6N5	14-4
Instrument Panel Cluster	3-2

L

Lamps	
Exterior Lamp Emergency Flashing System - SEO 6J7	14-2
Lights	
Exterior Lamps	3-2
Loading Your Vehicle	4-2

O

Odometer	3-5
Owners, Canadian	ii

Q

Questions and Answers About Airbags and Specialty Law Enforcement Vehicles	1-2
---	-----

R

Radio Suppression Grounding Studs	14-18
Rear Compartment, Equipment Grounding Studs	14-18
Running the Engine While Parked	2-3

S

Safety Belts	
Questions and Answers About Airbags and Specialty Law Enforcement Vehicles	1-2
SEO	
6J3, Wiring Provisions for Vehicle Grille Lamps, Flasher and Speaker/Siren	14-8
6J4, Wiring Provision for Horn/Siren Circuit	14-6
6J7, Exterior Lamp Emergency Flashing System	14-2
7X6, Spotlamp	14-4
7X7, Spotlamps	14-5
9L4, Wiring Provisions for 12-Volt Power Supply	14-20
WX7, Wiring Provisions Front Speakers	14-10

Special Equipment Options	
Standard with Tahoe Police Package	14-17
Specific Cylinder Unit for Single Key - Random Code System	2-2
Specifications, Capacities	5-3
Speedometer	3-5

T

Tires	5-2
Pressure Monitor System	5-2
Towing	
Trailer	4-4

V

Vehicle Loading	4-2
-----------------------	-----

W

Wiring Provisions	
12-Volt Power Supply - SEO 9L4	14-20
Emergency Vehicle Roof Light - SEO TRW	14-12

Wiring Provisions (cont.)	
Front Speakers - SEO WX7	14-10
Horn/Siren Circuit - SEO 6J4	14-6
Vehicle Grille Lamps, Flasher and Speaker/Siren - SEO 6J3	14-8